

MOBILE TOWER

Multi-directionally adjustable, mobile floodlight tower with 4 highly efficient, asymmetric 326W LED floodlights, designed specifically for large area lighting with low glare conditions.

Luminaire

Midstream Titan 320 LED Floodlight x 4

Tower

7-section hydraulic vertical tower, up to 9m height, 340° rotatable. Galvanized metalwork with 80 µm powder coating. Guided main coiled cable to avoid damage during tower operation. Certified wind stability up to 110 km/h.

CE LED IP67 

Technical data

Dimensions min. (mm)	2540x1390x2500
Dimensions max. (mm)	2540x1550x9000
Total weight without fuel	960 kg

Rotation	340°
Illuminated Area	4800 sqm
Floodlights	4 x 326W LED

Engine Model	Kubota Z482
Fuel	Diesel
RPM	1500

Consumption (l/h)	0.55
Tank capacity (l)	110
Runtime before refuelling (h)	200
Noise level at 7m (db)	65

Alternator model	Synchronous
Frequency (Hz)	50
Insulation class	H
Degree of protection	IP67
Single phase voltage	3.5 kVA - 48V
Auxiliary outlets	1kVA



Applications

- Airports
- Docks and harbours
- Rail
- Highways
- Large area lighting
- Special events
- Rural and hard to reach areas
- Emergency response
- Law enforcement
- Construction sites
- Oil, gas and mining operations
- Military applications
- Checkpoints

Features

- Automatic Mast Operating Safety System
- Light sensor for automatic start
- Longitudinal and transversal forklift pockets
- Optional power inlet socket to power lights from mains supply
- IP67 certified
- European manufacturing
- Up to 200 hours running time
- Tower 350° rotatable
- Certified wind stability up to 110 km/h
- Stabilizers adjustable in height
- Central lifting hook
- Remote operation available
- Complies with ICAO Annex 14 requirements
- Asymmetric floodlights for low glare operation



Midstream Lighting Ltd, 1 Chesham Street, London SW1X 8ND UK
Tel +44 207 584 8310 Email info@midstreamlighting.com
www.midstreamlighting.com



Description

MOBILE TOWER

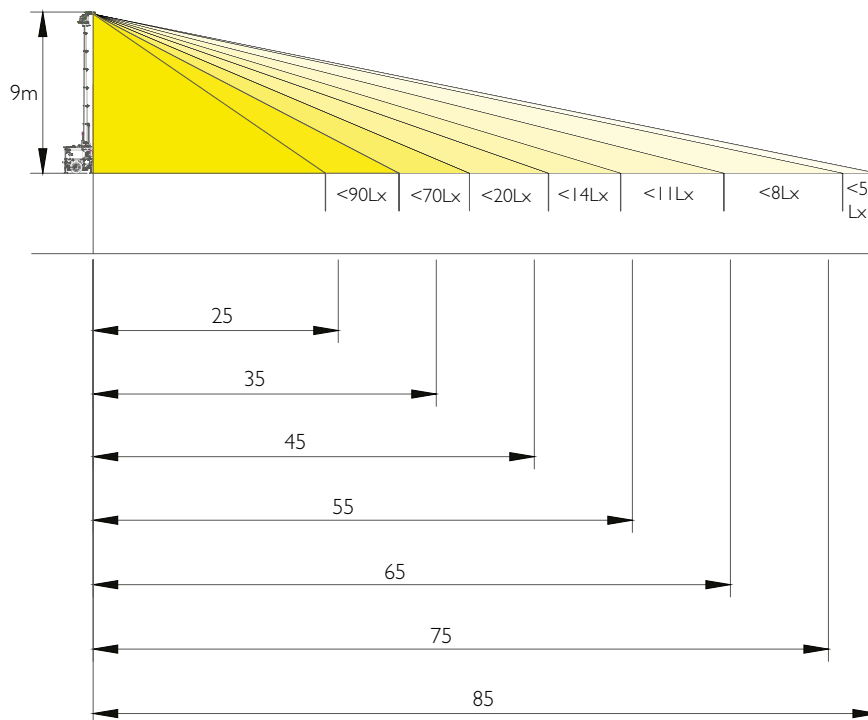
The Midstream Mobile Tower features an 9 metre vertical, hydraulic mast, delivering an impressive average 20 Lux coverage over 3600 m². Fitted with 4 x 326W LED asymmetric floodlights and a 110-litre long-run fuel tank, this system allows for commissioning of Code F and Code E aircraft stands in full compliance with ICAO requirements (see below).

Thanks to the floodlights' unique optics, the Mobile Tower can achieve these light levels and at the same time provide reduced glare to oncoming operators, whether these are pilots, train drivers, motorists, machine operators or the passing public.

The Titan series LED floodlights are produced in stainless steel with two-stage high surge protection devices and are already in use in major international airports, busy container ports, railways, highways and various military and security locations on all continents.

A high-efficiency thermal management system allows for operation in high-heat environments.

Compact and easy to transport and handle, the Midstream Mobile Tower is designed for heavy-duty mission-critical application where quality and reliability are paramount.



Illumination area created by one Midstream Mobile Tower



Midstream Lighting Ltd, 1 Chesham Street, London SW1X 8ND UK
Tel +44 207 584 8310 Email info@midstreamlighting.com
www.midstreamlighting.com



MOBILE TOWER

Dimensions



Range Options

The Midstream Mobile Tower is available in a number of other versions be customised according to the end-user's requirements.

Plug-in power

M-Mast unit is operated through a 230V power line for locations where electricity is readily available but infrastructure works or liquid fuels are inappropriate or prohibited. Zero noise emissions. Low maintenance.

Hybrid power

M-Hybrid unit is operated with a series of rechargeable batteries together with a diesel motor to reduce fuel usage, CO2 emissions and noise levels. Also available as M-Hybrid Mobile version.

Military power

Military application may require some bespoke features and colours. Our products are customisable and can be tailored to individual use. Robust design to survive harsh conditions.



Midstream Lighting Ltd, 1 Chesham Street, London SW1X 8ND UK
Tel +44 207 584 8310 Email info@midstreamlighting.com
www.midstreamlighting.com



Airport Lighting

MOBILE TOWER

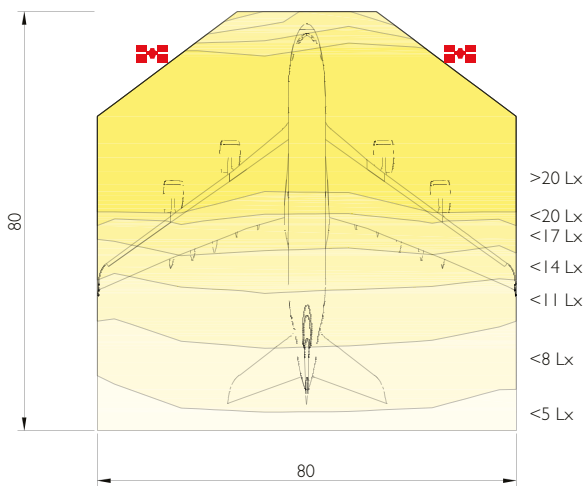
The Midstream Mobile Tower is a unique system that allows airside operators to commission an aircraft stand in full compliance with ICAO requirements (see below).

Proprietary high-asymmetry optics throw the light to the back of stand without tilting and emitting light into the sky. Low tilt operation significantly reduces glare to pilots and ground staff.

Remote control, timer or photo-cell operation allows for autonomy even on remote aprons.

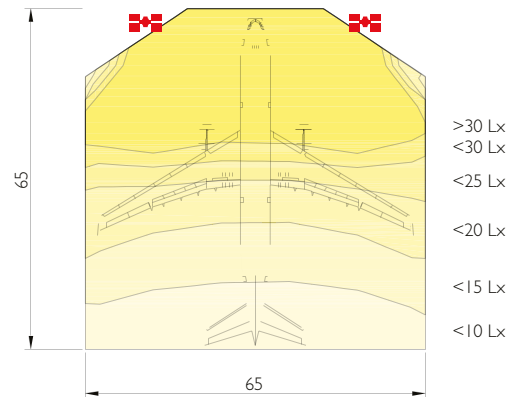
Main application areas are low usage stands, remote aprons, stand reconfiguration and temporary or no-power network locations.

Two masts used in tandem can commission up to a Code F stand to Annex 14 requirements.



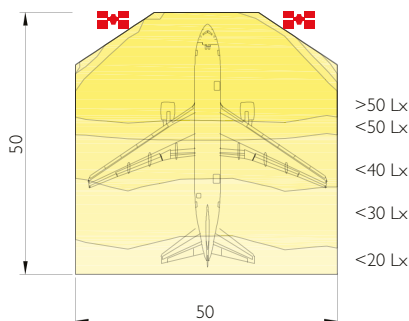
E_{av} - 20 Lux
 u_0 - 0.251

Code F



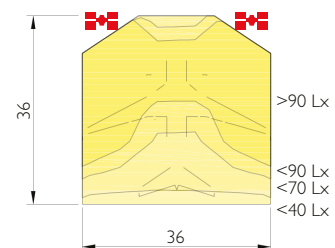
E_{av} - 27 Lux
 u_0 - 0.263

Code E



E_{av} - 44 Lux
 u_0 - 0.345

Code D



E_{av} - 88 Lux
 u_0 - 0.424

Code C



Midstream Lighting Ltd, 1 Chesham Street, London SW1X 8ND UK
Tel +44 207 584 8310 Email info@midstreamlighting.com
www.midstreamlighting.com

