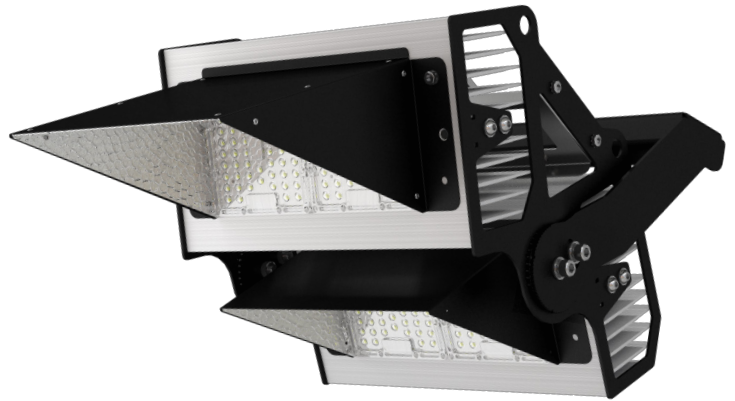


MODUS S

The Modus S Series is built for small to medium-sized sports applications and offers high lumen packages with greatly reduced weight.

The lightweight design minimises the number of floodlights required per mast and the uniquely designed light shields allow the Modus S to have a high level of uniformity across sports areas whilst delivering limited light spill for neighbours and residents. A great solution for both new-build and retrofit projects with features such as remote drivers for flexible installation and a 2 module configuration design to help light optimization of specific applications.



Technical data

Performance	
Luminaire Output	Up to 140.000 lm
Power Absorption	1180W
Lumen Maintenance [L80 B10]	>60.000h
Lumen Maintenance [L70 B50]	>100.000h
Optoelectronics	
CRI	70 - 80 - 90
Colour Temperature	<ul style="list-style-type: none"> • 3000K Warm White • 4000K Neutral White • 5000K Pure White • 5700K Cool White
Secondary Optics	weather proof, Anti-yellowing PC refraction matrix
No of LEDs	256

Luminaire Body	
Chassis and Bracket	Stainless Steel
Metal Finish	Powder Coating
Heatsinks	Anodized Extruded Aluminium (Copper Content <0.1%)
Bracket	Angled Reversible bracket, M20 or 2 x M16 Fixing points
Weight	20 Kg
Dimensions (L-W-H)	592L x 432W x 478H
Protection Level	IP66
Impact Resistance	IK09
Windage EPA	0.179 m2

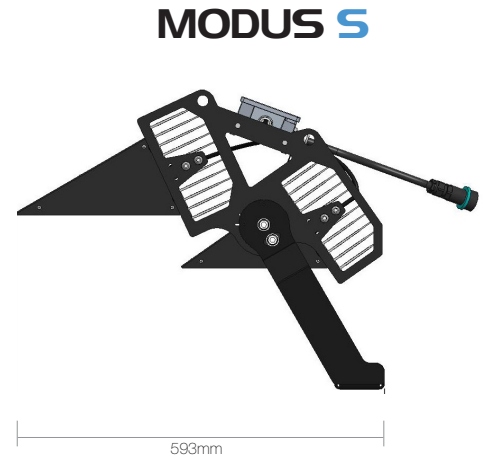
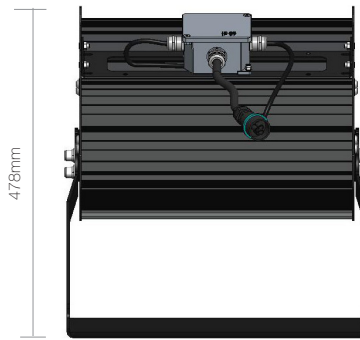
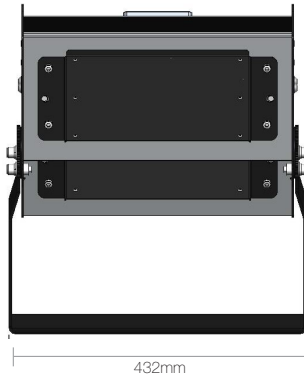
Driver Unit	
Dimensions (L-W-H)	398mm-230mm-152mm
Weight	9Kg

Protection Level	IP67
Electronics	
Voltage input	200-480 VAC 50-60Hz
Active Power F.C.	0.97
Surge Protection	10kV line-earth, 6kV line-line
Insulation class	IEC Class I
Short Circuit Protection	Auto-recovery
Over Heat Protection	Drops output current
Operation Conditions	
Working temperature	-40°C / +50°C
Humidity Range	0% - 94%

Normative reference

- EN 60598-1:2008 + A11: 2009 - Luminaires - Part 1: General requirements and tests
- EN 60598-2-5:2003 - Luminaires - Part 2-5: Particular requirements - Floodlights
- EN 62031:2008 + A1: 2013 - LED modules for general lighting - Safety specifications
- EN 62493:2010 - Assessment of lighting equipment related to human exposure to electromagnetic fields
- EN 60529:1991 + A1:2000 + A2:2013 - Degrees of protection provided by enclosures (IP Code) IEC 60068-2-52 - Environmental test: Salt mist test
- EN 55015: 2003 - Limits and methods of measurement of radio disturbance characteristics of electrical lighting and similar equipment
- EN 61547: 2009 - Equipment for general lighting purposes - EMC immunity requirements
- EN 61000-3-2: 2006 + A1: 2009 + A2: 2009 - Electromagnetic compatibility (EMC) -- Part 3-2: Limits - Limits for harmonic current emissions (equipment input current ≤ 16 A per phase)
- EN 61000-3-3: 20013 - Electromagnetic compatibility (EMC) -- Part 3-3: Limits - Limitation of voltage changes, voltage fluctuations and flicker in public low-voltage supply systems, for equipment with rated current ≤ 16 A per phase and not subject to conditional connection.

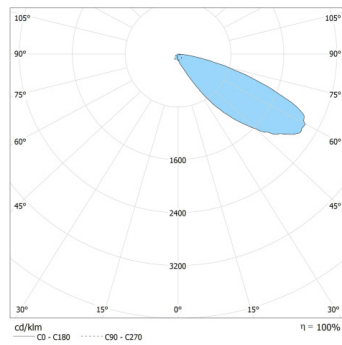
Dimensions



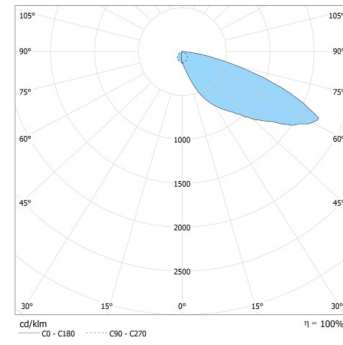
MODUS S

Photometrics

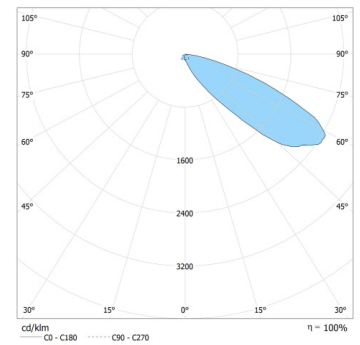
NS



WS



MS



Ordering codes

Product Family	Power	Optic	CCT	CRI	Voltage Input	Control System	Driver	Bracket	Optional
MS	11 (1180W)	NS (Narrow Beam - Spill Control)	A (5000k)	70	EU (200-480 VAC)	10 (0-10v)	C (Driver for Cabinet/ Mast Shaft mounting)	A (Angled Bracket)	0
	09 (999W)	MS (Medium Beam - Spill Control)	B (4000k)	80		DA (DALI)	O (Driver for Outdoor installation)		
		WS (Wide Beam - Spill Control)	C (3000k)	90		DX (DMX)			
			D (5700k)						

Example: MS09WSA70EU10CA