

TITAN | 60

Highly efficient LED floodlight designed specifically for high mast and large area lighting. LED control gear driving 36 LEDs at 1.4A with asymmetrical distribution. IP66, Class I protection with 6kV Surge Protection.

Body: recyclable, extruded aluminium and powder-coated steel. Optic Enclosure: PMMA Weather-proof lenses. Reversible mounting bracket supplied, optional spigot adaptors available separately for post-top.



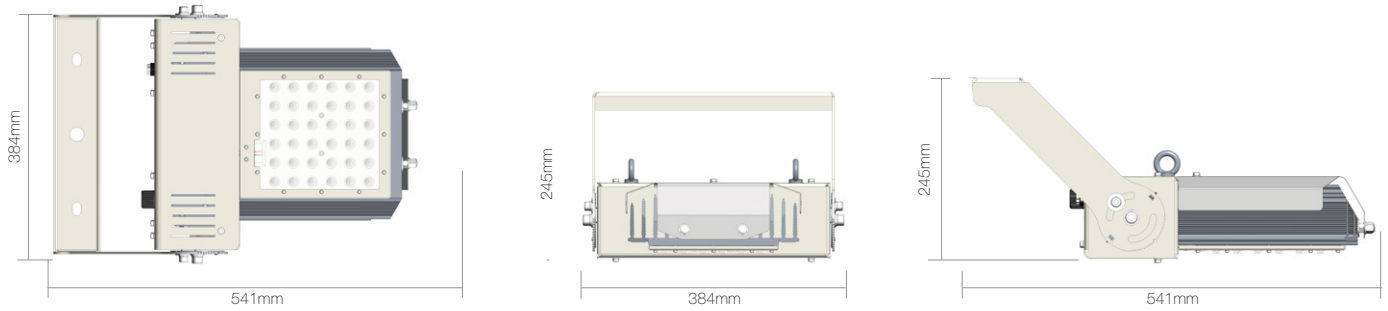
CE LED IP66  

Technical data

| Performance | |
|---|---|
| Luminaire Output | Up to 20,000lm |
| Power Absorption | 161W |
| Lumen Maintenance [L80 B10] | 119,000h |
| Lumen Maintenance [L70 B50] | 190,000h |
| Optoelectronics | |
| CRI | 70 - 80 - 90 |
| Colour Temperature | <ul style="list-style-type: none"> • 3000K Warm White • 4000K Neutral White • 5000K Pure White • 5700K Cool White |
| Secondary Optics | Weather proof, Anti-yellowing PMMA refraction matrix |
| No of LEDs | 36 |
| Luminaire Body | |
| Chassis and Bracket | Stainless Steel |
| Metal Finish | Powder Coating |
| Heatsinks | Anodized Extruded Aluminium (Copper Content <0.1%) |
| Bracket | Angled Reversible bracket, M16 or 2 x M12 Fixing points |
| Weight | 12.5 kg |
| Dimensions (L-W-H) | 389-340-145mm |
| Protection Level | IP66 |
| Impact Resistance | IK09 |
| Windage EPA | 0.059 m ² |
| Electronics | |
| Voltage input | 90-305 VAC 50-60Hz |
| Active Power F.C. | 0.95 |
| Surge Protection Device | 15kA, IEEE C62.41.2 Location Category C High |
| Insulation class | IEC Class I |
| Short Circuit Protection | Auto-recovery |
| Over Heat Protection | Drops output current |
| Operation Conditions | |
| Working temperature | -40°C / +65°C |
| Humidity Range | 0% - 94% |
| Normative reference | |
| EN 60598-1:2008 + A11: 2009 - Luminaires - Part 1: General requirements and tests | |
| EN 60598-2-5:2003 - Luminaires - Part 2-5: Particular requirements - Floodlights | |
| EN 62031:2008 + A1: 2013 - LED modules for general lighting - Safety specifications | |
| EN 62493:2010 - Assessment of lighting equipment related to human exposure to electromagnetic fields | |
| EN 60529:1991 + A1:2000 + A2:2013 - Degrees of protection provided by enclosures (IP Code) | |
| IEC 60068-2-52 - Environmental test: Salt mist test | |
| EN 55015: 2003 - Limits and methods of measurement of radio disturbance characteristics of electrical lighting and similar equipment | |
| EN 61547: 2009 - Equipment for general lighting purposes - EMC immunity requirements | |
| EN 61000-3-2: 2006 + A1: 2009 + A2: 2009 - Electromagnetic compatibility (EMC) -- Part 3-2: Limits - Limits for harmonic current emissions (equipment input current ≤ 16 A per phase) | |
| EN 61000-3-3: 20013 - Electromagnetic compatibility (EMC) -- Part 3-3: Limits - Limitation of voltage changes, voltage fluctuations and flicker in public low-voltage supply systems, for equipment with rated current ≤ 16 A per phase and not subject to conditional connection | |

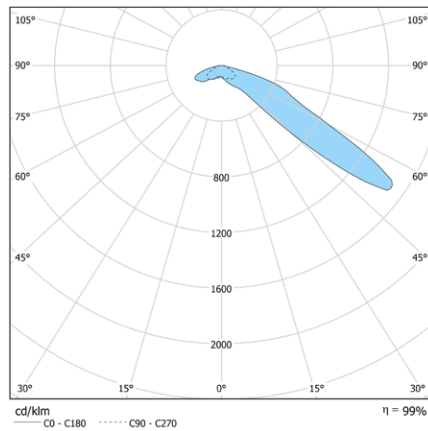
Dimensions

TITAN I 60

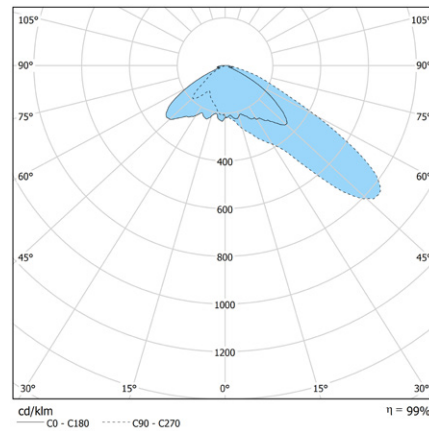


Photometrics

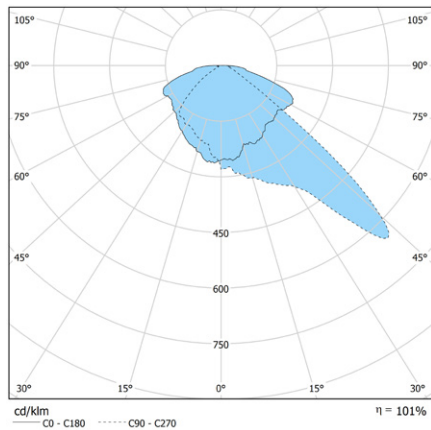
FH High asymmetry



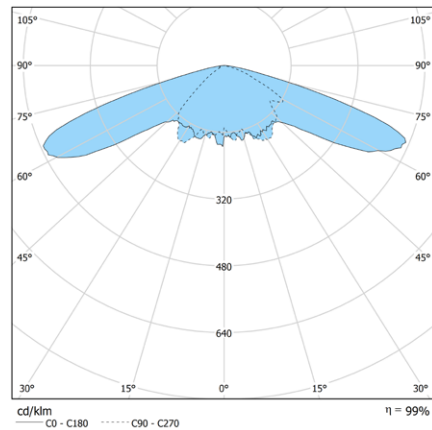
FL Low asymmetry



SA street optic



ST symmetrical wide



Ordering codes

| Product Family | Power | Optic | CCT | Body Material | Control System | Body Colour | Optional |
|----------------|-------|-------|-----------|------------------------------|----------------|---------------------|---------------------------------|
| T (Titan) | 16 | FH | A (5000k) | T (3CR12 Stainless Steel) | 10 (0-10v) | T (Black and White) | 00 |
| | | FL | B (4000k) | M (AISI 316 Stainless Steel) | DA (DALI) | H (High Heat White) | 02 (Integrated SPD) |
| | | SA | C (3000K) | | | | 04 (In and Out DALI connectors) |
| | | ST | D (5700k) | | | | |

Example: T16FLAT10H00



Midstream Lighting Ltd, 1 Chesham Street, London SW1X 8ND UK
 Tel +44 207 584 8310 Email info@midstreamlighting.com
 www.midstreamlighting.com

