

# TITAN | 60

Highly efficient LED floodlight designed specifically for high mast and large area lighting. LED control gear driving 36 LEDs at 1.4A with asymmetrical distribution. IP66, Class I protection with 6kV Surge Protection.

Body: recyclable, extruded aluminium and powder-coated steel. Optic Enclosure: PMMA Weather-proof lenses. Reversible mounting bracket supplied, optional spigot adaptors available separately for post-top.



CE LED IP66  

## Technical data

Performance	
Luminaire Output	Up to 20.000lm
Power Absorption	161W
Lumen Maintenance [L80 B10]	119.000h
Lumen Maintenance [L70 B50]	190.000h

Optoelectronics	
CRI	70 - 80 - 90
Colour Temperature	<ul style="list-style-type: none"> <li>• 3000K Warm White</li> <li>• 4000K Neutral White</li> <li>• 5000K Pure White</li> <li>• 5700K Cool White</li> </ul>
Secondary Optics	Weather proof, Anti-yellowing PMMA refraction matrix
No of LEDs	36

Luminaire Body	
Chassis and Bracket	Stainless Steel
Metal Finish	Powder Coating
Heatsinks	Anodized Extruded Aluminium (Copper Content <0.1%)
Bracket	Angled Reversible bracket, M16 or 2 x M12 Fixing points
Weight	12.5 kg
Dimensions (L-W-H)	389-340-145mm
Protection Level	IP66
Impact Resistance	IK09
Windage EPA	0.059 m <sup>2</sup>

### Electronics

Voltage input	90-305 VAC 50-60Hz
Active Power F.C.	0.95
Surge Protection Device	15kA, IEEE C62.41.2 Location Category C High
Insulation class	IEC Class I
Short Circuit Protection	Auto-recovery
Over Heat Protection	Drops output current

### Operation Conditions

Working temperature	-40°C / +50°C
Humidity Range	0% - 94%

## Normative reference

EN 60598-1:2008 + A11: 2009 - Luminaires - Part 1: General requirements and tests

EN 60598-2-5:2003 - Luminaires - Part 2-5: Particular requirements - Floodlights

EN 62031:2008 + A1: 2013 - LED modules for general lighting - Safety specifications

EN 62493-2010 - Assessment of lighting equipment related to human exposure to electromagnetic fields

EN 60529:1991 + A1:2000 + A2:2013 - Degrees of protection provided by enclosures (IP Code)

IEC 60068-2-52 - Environmental test: Salt mist test

EN 55015: 2003 - Limits and methods of measurement of radio disturbance characteristics of electrical lighting and similar equipment

EN 61547: 2009 - Equipment for general lighting purposes - EMC immunity requirements

EN 61000-3-2: 2006 + A1: 2009 + A2: 2009 - Electromagnetic compatibility (EMC) -- Part 3-2: Limits - Limits for harmonic current emissions (equipment input current ≤ 16 A per phase)

EN 61000-3-3: 20013 - Electromagnetic compatibility (EMC) -- Part 3-3: Limits - Limitation of voltage changes, voltage fluctuations and flicker in public low-voltage supply systems, for equipment with rated current ≤ 16 A per phase and not subject to conditional connection

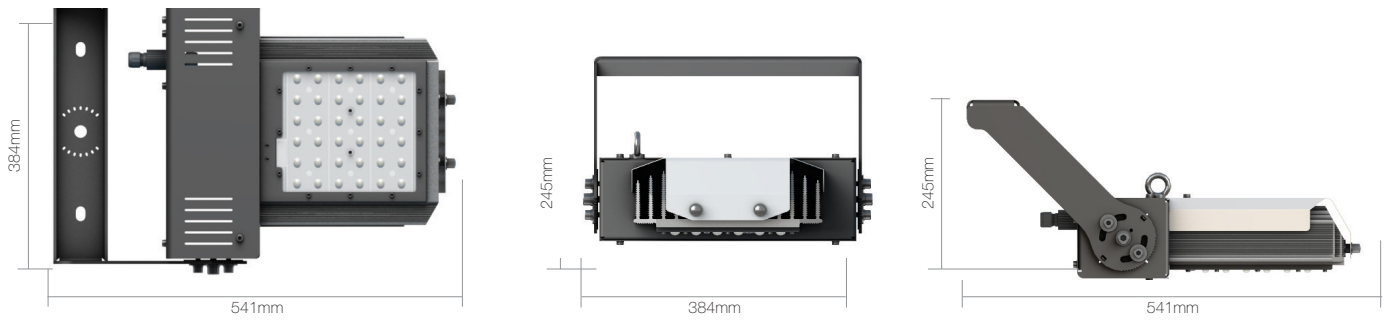


Midstream Lighting Ltd, 1 Chesham Street, London SW1X 8ND UK  
Tel +44 207 584 8310 Email info@midstreamlighting.com  
www.midstreamlighting.com



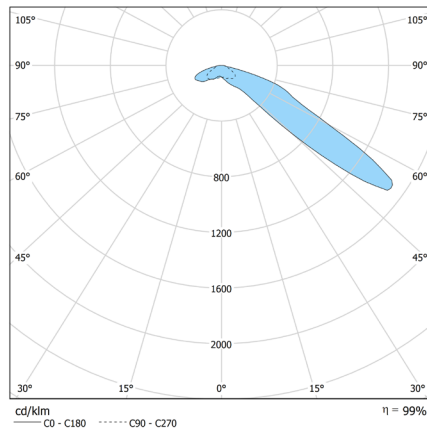
## Dimensions

# TITAN I 60

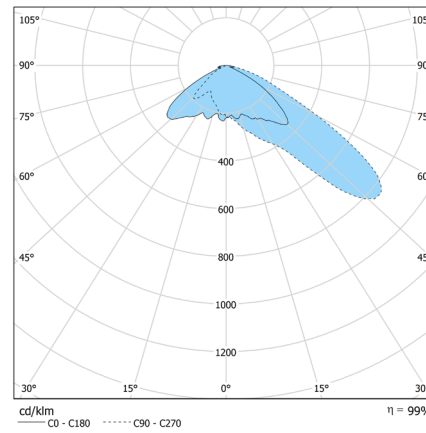


## Photometrics

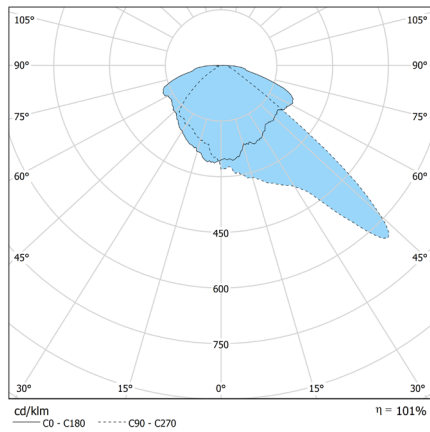
### FH High asymmetry



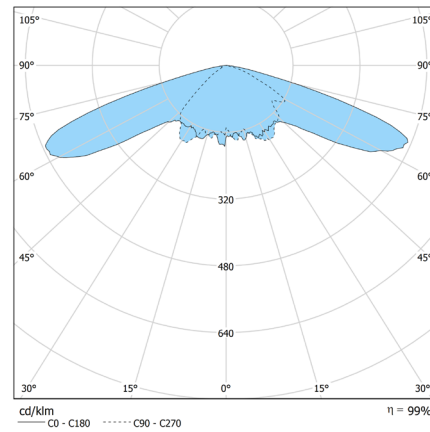
### FL Low asymmetry



### SA street optic



### ST symmetrical wide



## Ordering codes

Product Family	Power	Optic	CCT	Body Material	Control System	Body Colour	Optional
T (Titan)	16	FH	A (5000k)	T (AISI 3CR12 Stainless Steel)	10 (0-10v)	T (Black and White)	00
		FL	B (4000k)	M (AISI 316 Stainless Steel)	DA (DALI)	H (High Heat White)	02 (Integrated SPD)
		SA	C (3000k)				04 (In and Out DALI connectors)
		ST	D (5700k)				[22]

Example: T16FLAT10S00



Midstream Lighting Ltd, 1 Chesham Street, London SW1X 8ND UK  
 Tel +44 207 584 8310 Email info@midstreamlighting.com  
 www.midstreamlighting.com

