

TITAN 420

Highly efficient LED floodlight designed specifically for high mast and large area lighting. LED control gear driving 96 LEDs at 1.4A with asymmetrical distribution. IP66, Class I protection with 6kV Surge Protection.

Body: recyclable, extruded aluminium and powder-coated steel. Optic Enclosure: PMMA Weather-proof lenses. Reversible mounting bracket supplied, optional spigot adaptors available separately for post-top.

CE LED IP66  

Technical data

Performance	
Luminaire Output	Up to 54.000lm
Power Absorption	450W
Lumen Maintenance [L80 B10]	119.000h
Lumen Maintenance [L70 B50]	190.000h
Optoelectronics	
CRI	70 - 80 - 90
Colour Temperature	<ul style="list-style-type: none"> • 3000K Warm White • 4000K Neutral White • 5000K Pure White • 5700K Cool White
Secondary Optics	Weather proof, Anti-yellowing PMMA refraction matrix
No of LEDs	96
Luminaire Body	
Chassis and Bracket	Stainless Steel
Metal Finish	Powder Coating
Heatsinks	Anodized Extruded Aluminium (Copper Content <0.1%)
Bracket	Angled Reversible bracket, M20 or 2 x M16 Fixing points
Weight	24 kg
Dimensions (L-W-H)	446-515-145mm
Protection Level	IP66
Impact Resistance	IK09
Windage EPA	0.088 m ²



Electronics	
Voltage input	90-305 VAC 50-60Hz
Active Power F.C.	0.95
Surge Protection device	15kA, IEEE C62.41.2 Location Category C High
Insulation class	IEC Class I
Short Circuit Protection	Auto-recovery
Over Heat Protection	Drops output current

Operation Conditions	
Working temperature	-40°C / +50°C
Humidity Range	0% - 94%

Normative reference

EN 60598-1:2008 + A11: 2009 - Luminaires - Part 1: General requirements and tests

EN 60598-2-5:2003 - Luminaires - Part 2-5: Particular requirements - Floodlights

EN 62031:2008 + A1: 2013 - LED modules for general lighting - Safety specifications

EN 62493:2010 - Assessment of lighting equipment related to human exposure to electromagnetic fields

EN 60529:1991 + A1:2000 + A2:2013 - Degrees of protection provided by enclosures (IP Code)

IEC 60068-2-52 - Environmental test: Salt mist test

EN 55015: 2003 - Limits and methods of measurement of radio disturbance characteristics of electrical lighting and similar equipment

EN 61547: 2009 - Equipment for general lighting purposes - EMC immunity requirements

EN 61000-3-2: 2006 + A1: 2009 + A2: 2009 - Electromagnetic compatibility (EMC) -- Part 3-2: Limits - Limits for harmonic current emissions (equipment input current ≤ 16 A per phase)

EN 61000-3-3: 20013 - Electromagnetic compatibility (EMC) -- Part 3-3: Limits - Limitation of voltage changes, voltage fluctuations and flicker in public low-voltage supply systems, for equipment with rated current ≤ 16 A per phase and not subject to conditional connection

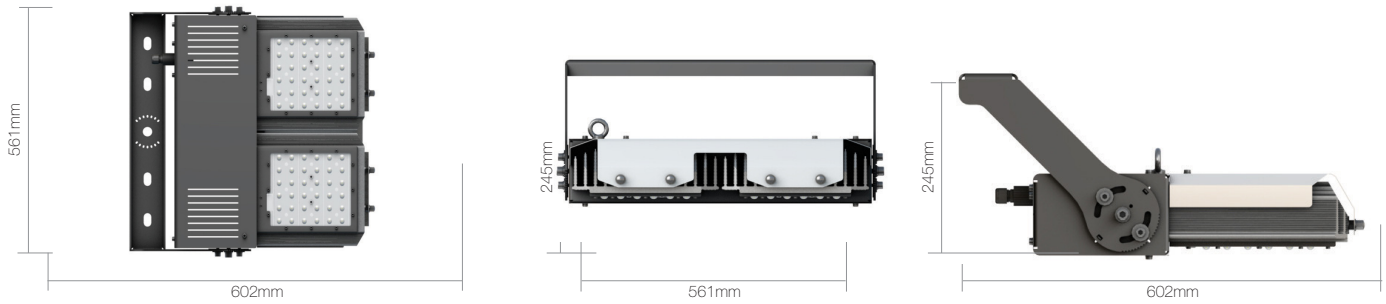


Midstream Lighting Ltd, 1 Chesham Street, London SW1X 8ND UK
Tel +44 207 584 8310 Email info@midstreamlighting.com
www.midstreamlighting.com



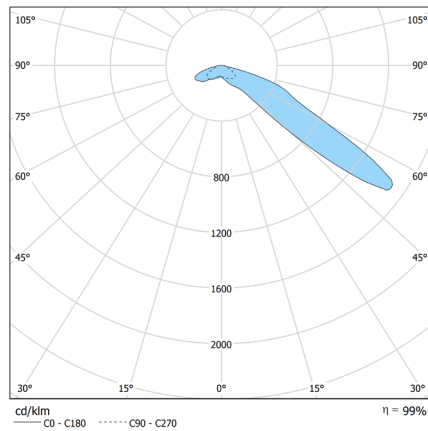
Dimensions

TITAN 420

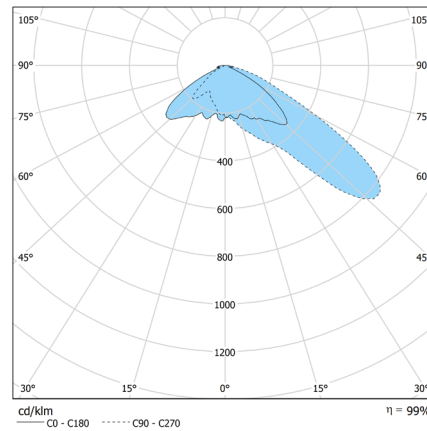


Photometrics

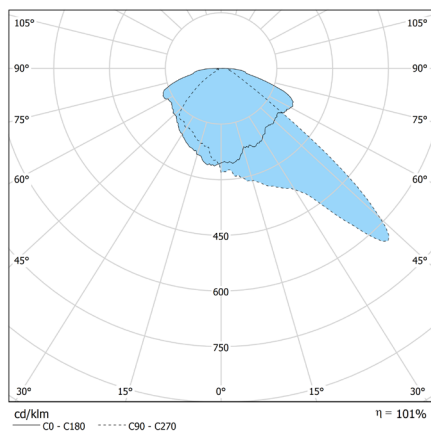
FH High asymmetry



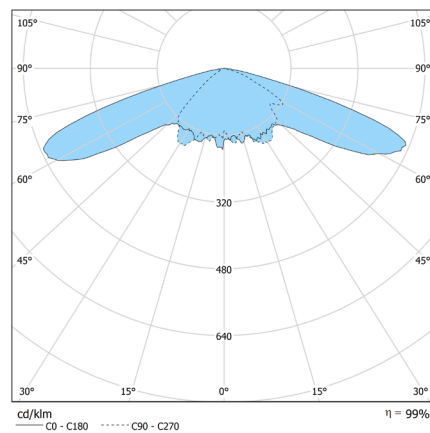
FL Low asymmetry



SA street optic



ST symmetrical wide



Ordering codes

Product Family	Power	Optic	CCT	Body Material	Control System	Body Colour	Optional
T (Titan)	42	FH	A (5000k)	T (AISI 3CR12 Stainless Steel)	10 (0-10v)	T (Black and White)	00
		FL	B (4000k)	M (AISI 316 Stainless Steel)	DA (DALI)	H (High Heat White)	02 (Integrated SPD)
		SA	C (3000k)				04 (In and Out DALI connectors)
		ST	D (5700k)				[22]

Example: T32FLAT10S00



Midstream Lighting Ltd, 1 Chesham Street, London SW1X 8ND UK
Tel +44 207 584 8310 Email info@midstreamlighting.com
www.midstreamlighting.com

