

TITAN 720

Highly efficient LED floodlight designed specifically for high mast and large area lighting. LED control gear driving 96 LEDs at 2.1A with asymmetrical distribution. IP66, Class I protection with 6kV Surge Protection.

Body: recyclable, extruded aluminium and powder-coated steel. Optic Enclosure: PMMA Weather-proof lenses. Reversible mounting bracket supplied, optional spigot adaptors available separately for post-top.

CE LED IP66  

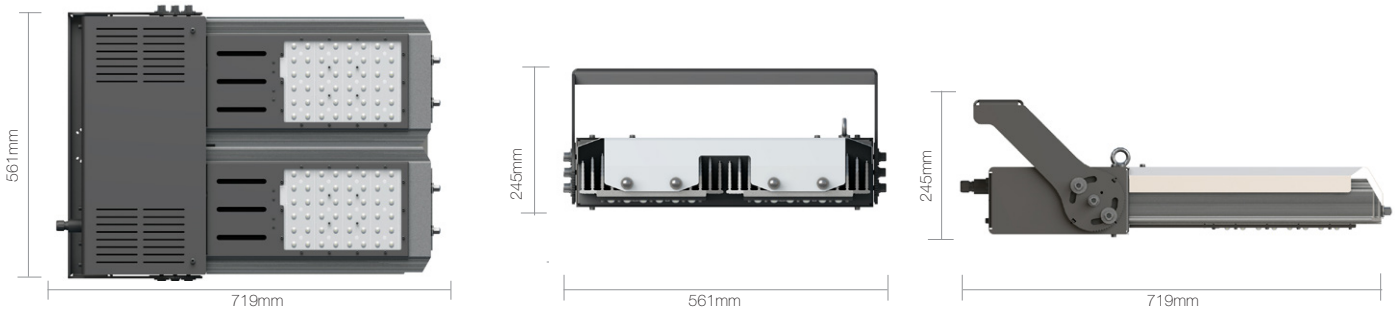


Technical data

Performance		Insulation class	
Luminaire Output	Up to 84.000lm		IEC Class I
Power Absorption	700w	Short Circuit Protection	Auto-recovery
Lumen Maintenance [L80 B10]	150.000h	Over Heat Protection	Drops output current
Lumen Maintenance [L70 B50]	241.000h		
Optoelectronics		Operation Conditions	
CRI	70 - 80 - 90	Working temperature	-40°C / +65°C
Colour Temperature	<ul style="list-style-type: none"> • 3000K Warm White • 4000K Neutral White • 5000K Pure White • 5700K Cool White 	Humidity Range	0% - 94%
Secondary Optics	Weather proof, Anti-yellowing PMMA refraction matrix		
No of LEDs	96		
Luminaire Body			
Chassis and Bracket	Stainless Steel		
Metal Finish	Powder Coating		
Heatsinks	Anodized Extruded Aluminium (Copper Content <0.1%)		
Bracket	Angled Reversible bracket, M20 or 2 x M16 Fixing points		
Weight	32 kg		
Dimensions (L-W-H)	727-515-155mm		
Protection Level	IP66		
Impact Resistance	IK09		
Windage EPA	0.102 m ²		
Electronics			
Voltage input	90-305 VAC 50-60Hz		
Active Power F.C.	0.95		
Surge Protection Devices	15kA, IEEE C62.41.2 Location Category C High		
		Normative reference	
		EN 60598-1:2008 + A11: 2009 - Luminaires - Part 1: General requirements and tests	
		EN 60598-2-5:2003 - Luminaires - Part 2-5: Particular requirements - Floodlights	
		EN 62031:2008 + A1: 2013 - LED modules for general lighting - Safety specifications	
		EN 62493:2010 - Assessment of lighting equipment related to human exposure to electromagnetic fields	
		EN 60529:1991 + A1:2000 + A2:2013 - Degrees of protection provided by enclosures (IP Code)	
		IEC 60068-2-52 - Environmental test: Salt mist test	
		EN 55015: 2003 - Limits and methods of measurement of radio disturbance characteristics of electrical lighting and similar equipment	
		EN 61547: 2009 - Equipment for general lighting purposes - EMC immunity requirements	
		EN 61000-3-2: 2006 + A1: 2009 + A2: 2009 - Electromagnetic compatibility (EMC) -- Part 3-2: Limits - Limits for harmonic current emissions (equipment input current ≤ 16 A per phase)	
		EN 61000-3-3: 20013 - Electromagnetic compatibility (EMC) -- Part 3-3: Limits - Limitation of voltage changes, voltage fluctuations and flicker in public low-voltage supply systems, for equipment with rated current ≤ 16 A per phase and not subject to conditional connection	

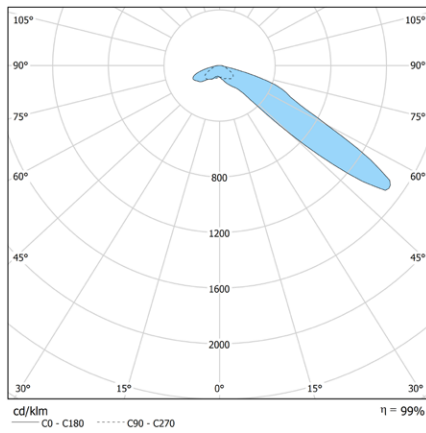
Dimensions

TITAN 720

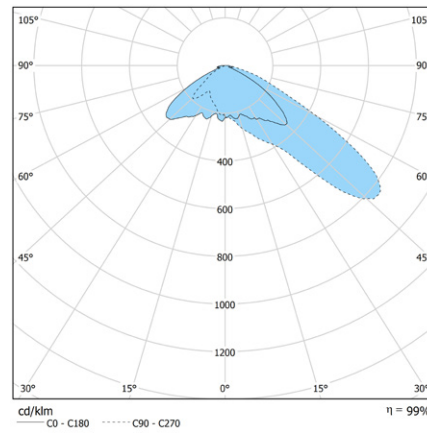


Photometrics

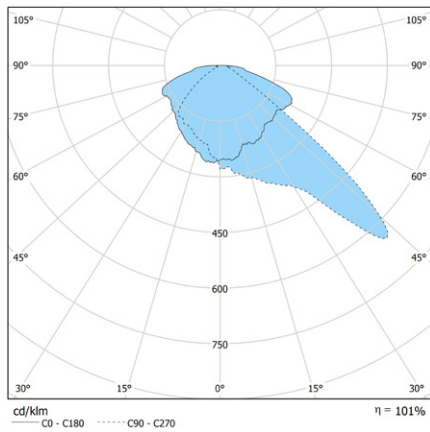
FH High asymmetry



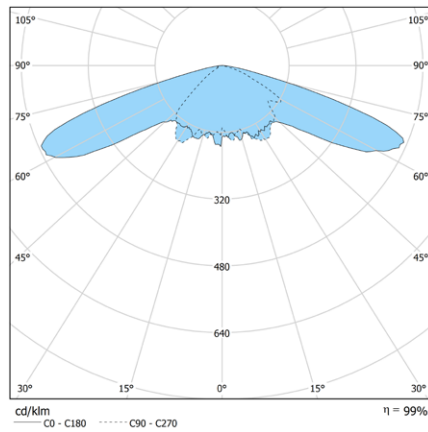
FL Low asymmetry



SA street optic



ST symmetrical wide



Ordering codes

Product Family	Power	Optic	CCT	Body Material	Control System	Body Colour	Optional
T (Titan)	72	FH	A (5000k)	T (AISI 3CR12 Stainless Steel)	10 (0-10v)	T (Black and White)	00
		FL	B (4000k)	M (AISI 316 Stainless Steel)	DA (DALI)	H (High Heat White)	02 (Integrated SPD)
		SA	C (3000k)				04 (In and Out DALI connectors)
		ST	D (5700k)				

Example: T72FLAT10H00



Midstream Lighting Ltd, 1 Chesham Street, London SW1X 8ND UK
 Tel +44 207 584 8310 Email info@midstreamlighting.com
 www.midstreamlighting.com

