

MODUS R 1000

Highly efficient LED floodlight designed specifically for large area lighting and sport lighting applications.

Remotely mounted single IP66 electronic control gear driving 256 LEDs with multiple photometric distributions.

Body: fully recyclable, stainless steel chassis and extruded aluminium Heatsinks.

Optic Enclosure: proprietary PC Weather-proof lenses matrix.

Fully reversible mounting bracket.

CE LED IP66  

Technical data

Performance	
Luminaire Output	Up to 130,000 lm
Power Absorption	1000W
Lumen Maintenance [L90 B10]	90.700h
Lumen Maintenance [L70 B50]	>150.000h

Optoelectronics	
CRI	70 - 80 - 90
Colour Temperature	<ul style="list-style-type: none"> • 3000K Warm White • 4000K Neutral White • 5000K Pure White • 5700K Cool White
Secondary Optics	Anti-yellowing PC refraction matrix
No of LEDs	256

Luminaire Body	
Chassis and Bracket	Stainless Steel
Metal Finish	Powder Coating
Heatsinks	Anodized Extruded Aluminium (Copper Content <0.1%)
Bracket	Angled Reversible bracket, M20 or 2 x M16 Fixing points
Weight	19 kg
Dimensions (L-W-H)	420L x 437W x 221H
Protection Level	IP66
Impact Resistance	IK09
Windage EPA	0.209 m ²

Driver Unit	
Dimensions (L-W-H)	398mm-230mm-152mm
Weight	9Kg
Protection Level	IP66



Electronics	
Voltage input	200-480 VAC 50-60Hz
Active Power F.C.	0.97
Surge Protection	10kV line-earth, 6kV line-line
Insulation class	IEC Class I
Short Circuit Protection	Auto-recovery
Over Heat Protection	Drops output current

Operation Conditions	
Working temperature	-40°C / +55°C
Humidity Range	0% - 94%

Normative reference

EN 60598-1:2008 + A11: 2009 - Luminaires - Part 1: General requirements and tests

EN 60598-2-5:2003 - Luminaires - Part 2-5: Particular requirements - Floodlights

EN 62031:2008 + A1: 2013 - LED modules for general lighting - Safety specifications

EN 62493-2010 - Assessment of lighting equipment related to human exposure to electromagnetic fields

EN 60529:1991 + A1:2000 + A2:2013 - Degrees of protection provided by enclosures (IP Code) IEC 60068-2-52 - Environmental test: Salt mist test

EN 55015: 2003 - Limits and methods of measurement of radio disturbance characteristics of electrical lighting and similar equipment

EN 61547: 2009 - Equipment for general lighting purposes - EMC immunity requirements

EN 61000-3-2: 2006 + A1: 2009 + A2: 2009 - Electromagnetic compatibility (EMC) -- Part 3-2: Limits - Limits for harmonic current emissions (equipment input current ≤ 16 A per phase)

EN 61000-3-3: 20013 - Electromagnetic compatibility (EMC) -- Part 3-3: Limits - Limitation of voltage changes, voltage fluctuations and flicker in public low-voltage supply systems, for equipment with rated current ≤ 16 A per phase and not subject to conditional connection.

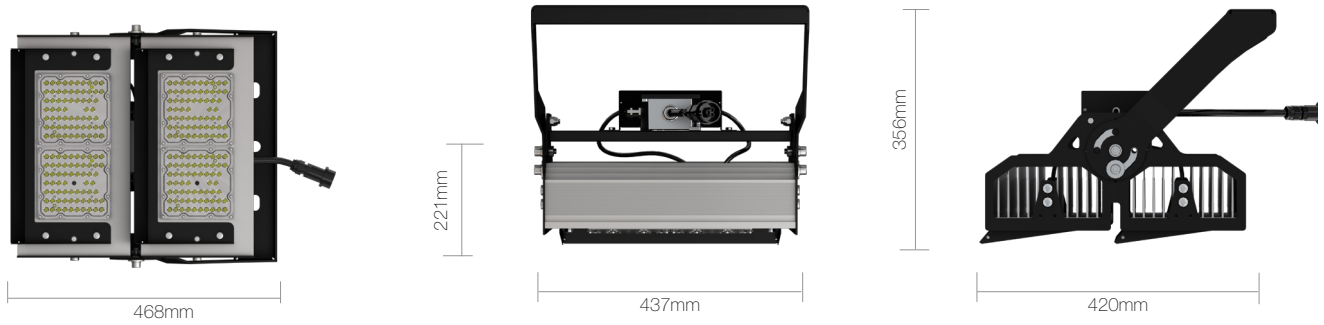


Midstream Lighting Ltd, 1 Chesham Street, London SW1X 8ND UK
Tel +44 207 584 8310 Email info@midstreamlighting.com
www.midstreamlighting.com

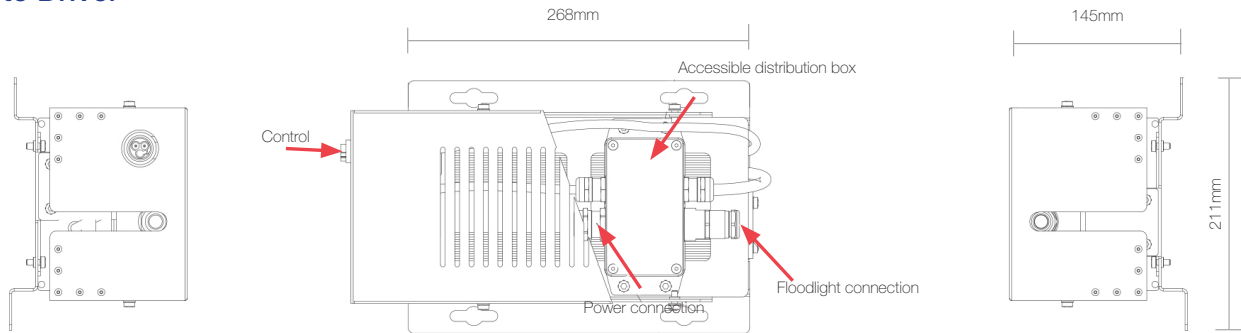


Dimensions

MODUS R 1000

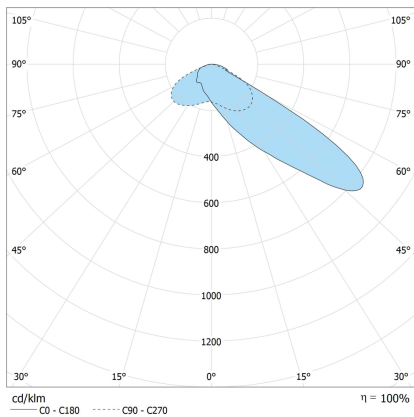


Remote Driver

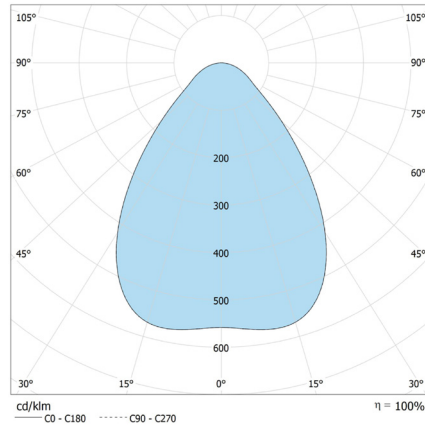


Photometrics

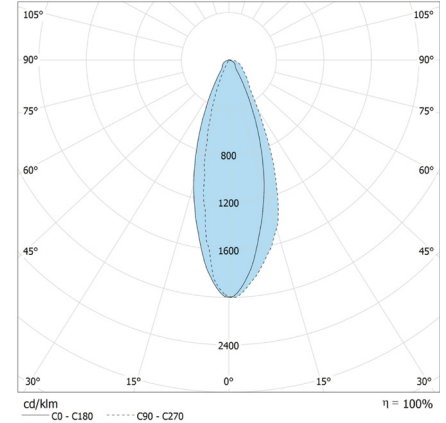
FS



WR



MS



Ordering codes

Product Family	Power	Optic	CCT	CRI	Voltage Input	Control System	Visor	Option
MR	10 (1000)	FS	A (5000k)	70	EU (200-480 VAC)	10 (0-10v)	F (Visor for F Optics)	A
		MS	B (4000k)	80		DA (DALI)	S (Visor for S Optics)	
		WR	C (3000K)	90		DX (DMX)	0 (No Visor)	
			D (5700k)					

Example: MR10FSA70EU10FA



Midstream Lighting Ltd, 1 Chesham Street, London SW1X 8ND UK
 Tel +44 207 584 8310 Email info@midstreamlighting.com
 www.midstreamlighting.com

